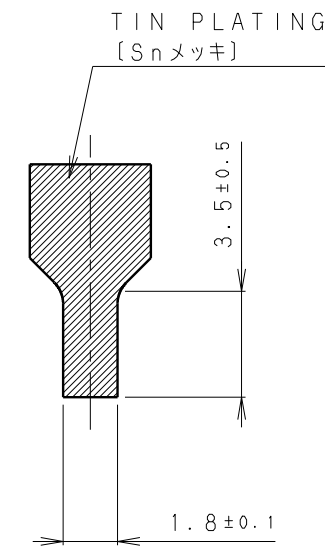
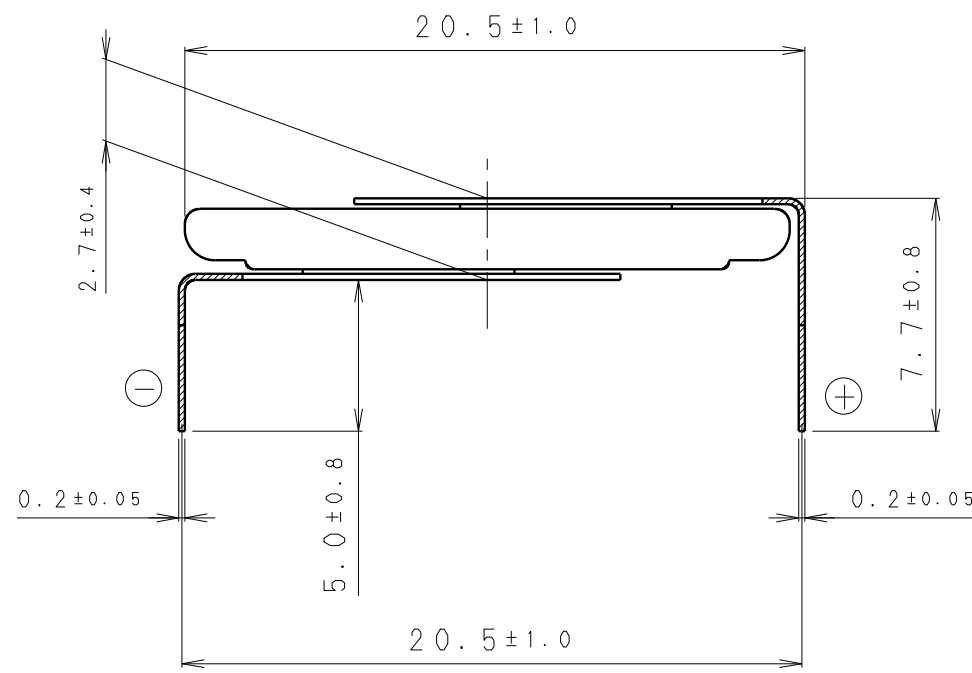
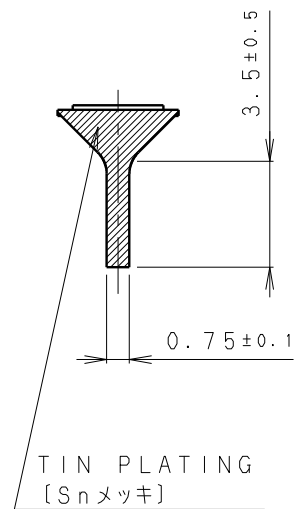
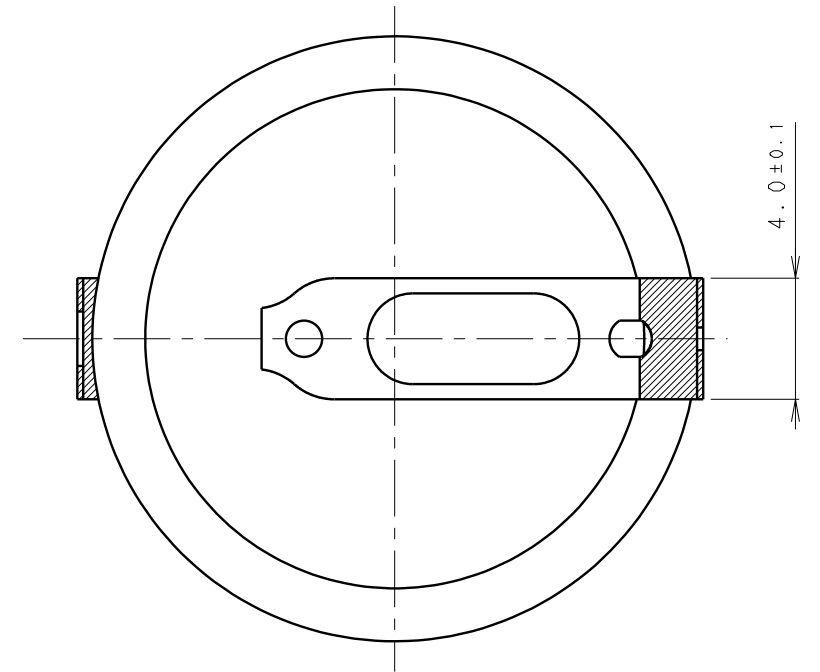
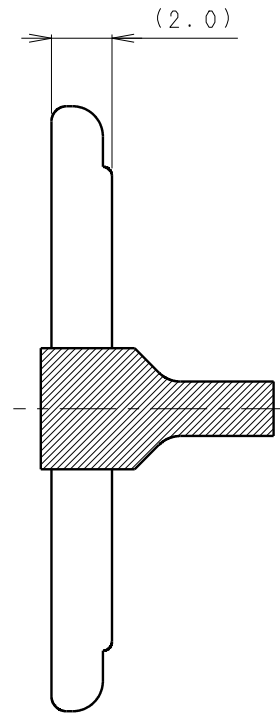
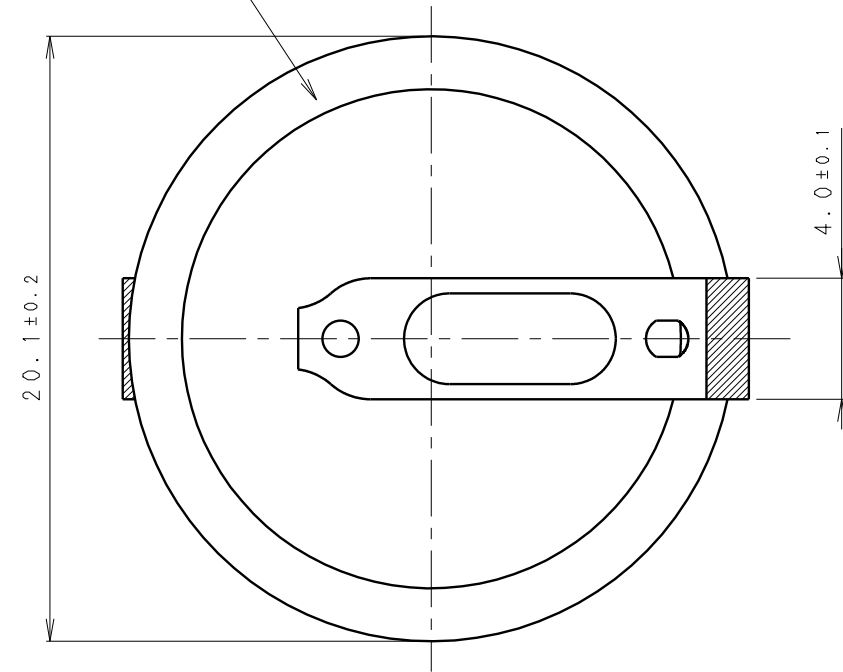


INSULATOR (BROWN)
[絶縁チューブ* (茶色)]

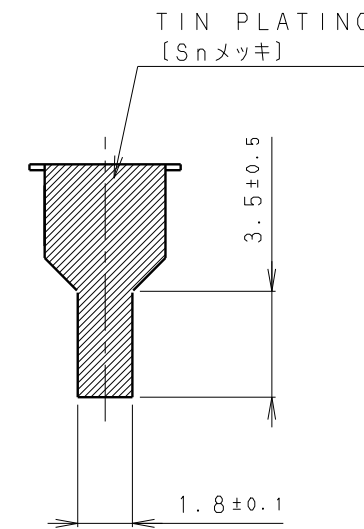
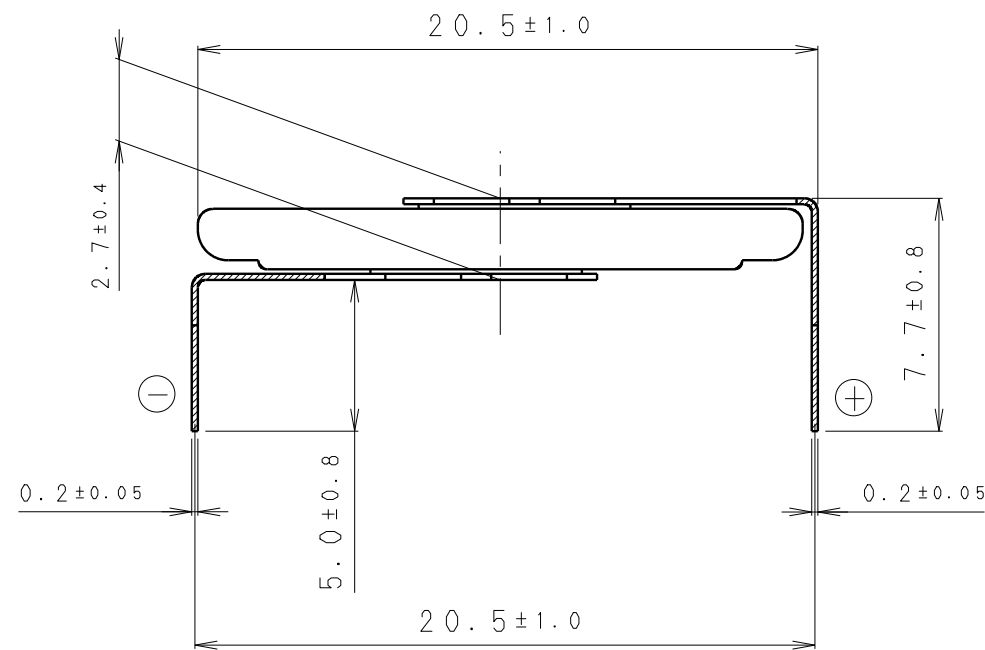
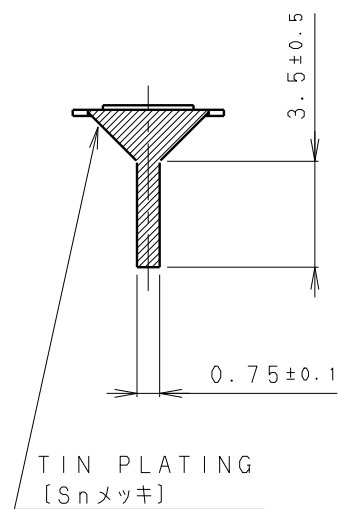
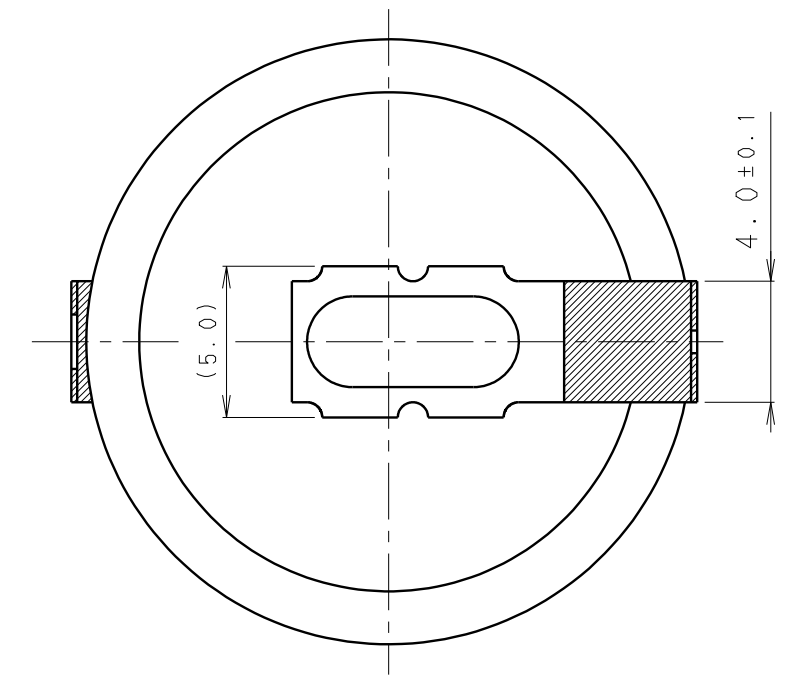
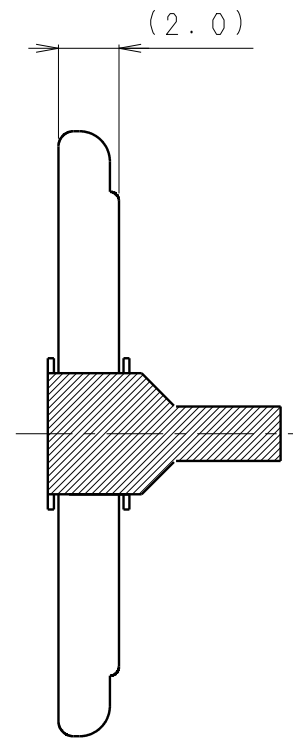
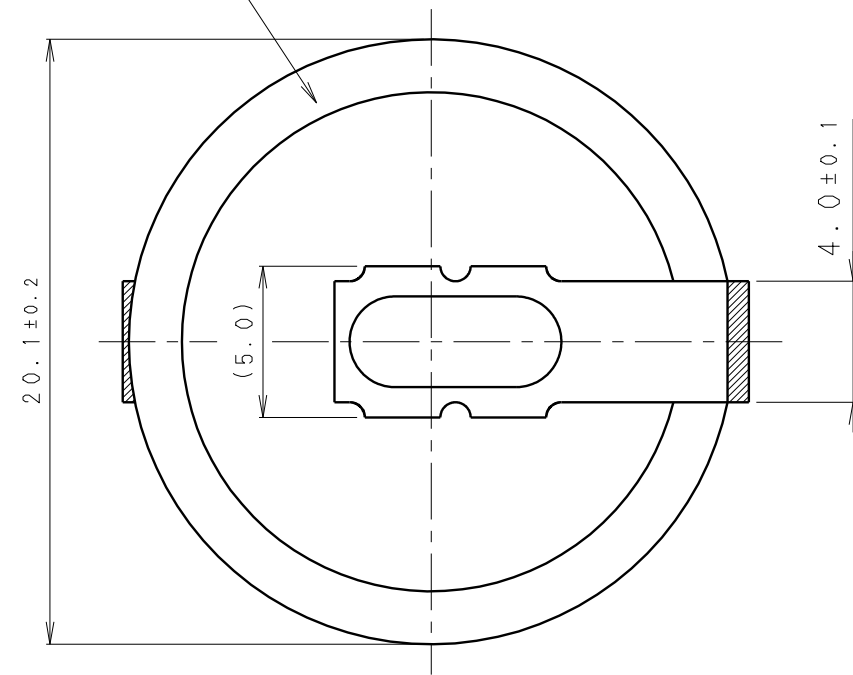


*NOTE [注記]

1. TAB PULLING STRENGTH OVER 19.6N [端子溶接強度: 19.6N以上]
2. TAB MATERIAL: STAINLESS STEEL WITH TIN PLATING
[端子材料: 基材 ステンレス/表面 部分Snメッキ]
3. (): REFERENCE DIMENSION AND ANGLE [() 寸法、角度は参考値]

PRODUCT NO.	VL-2020/HFN	SCALE	4:1
DRAWING NO.	PEHA1Z	REV.	0
			UNIT: mm

INSULATOR (BROWN)
[絶縁チューブ* (茶色)]

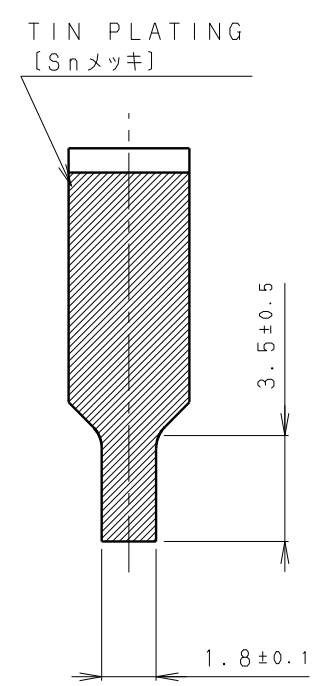
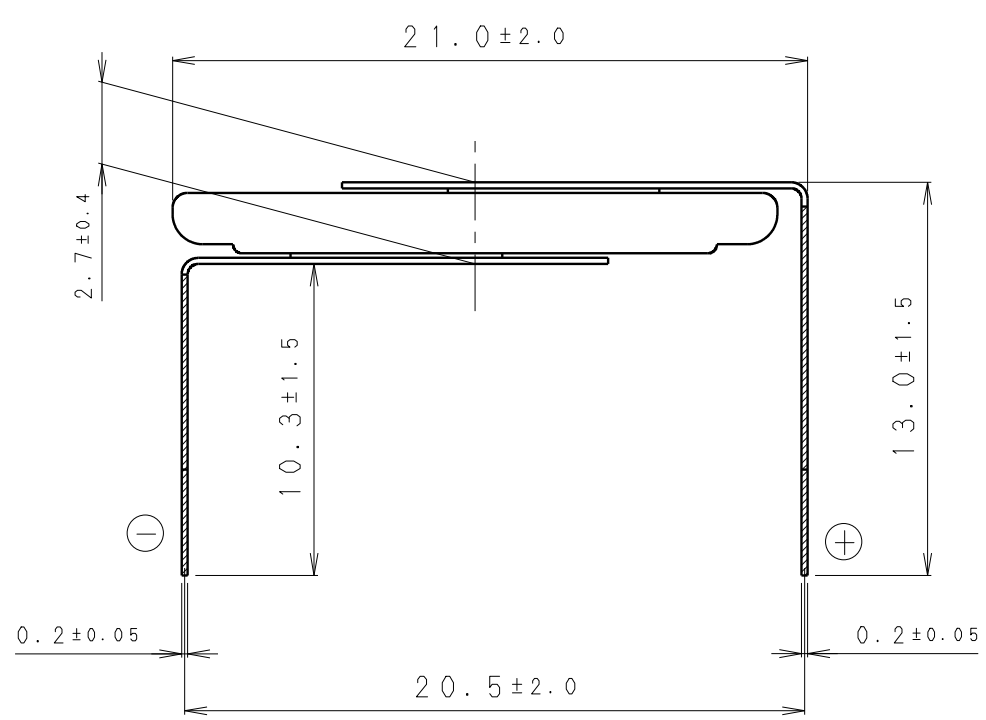
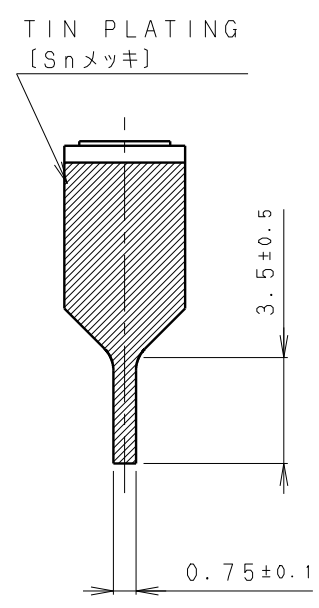
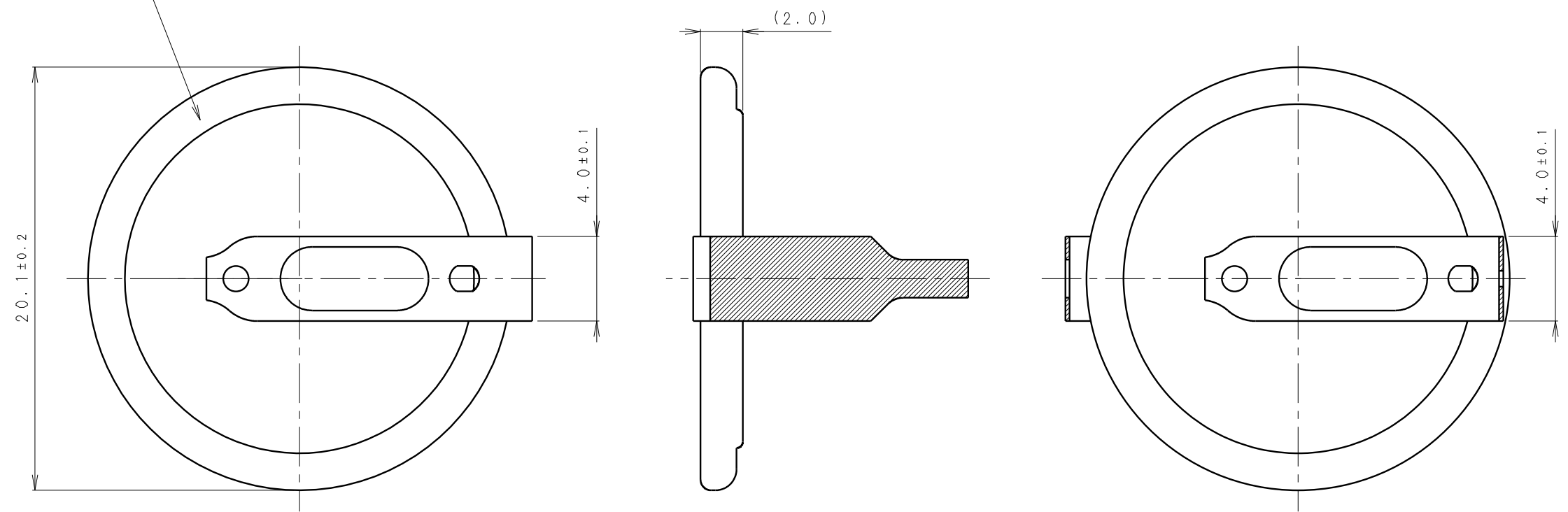


* NOTE [注記]

1. TAB PULLING STRENGTH OVER 19.6N [端子溶接強度: 19.6N以上]
2. TAB MATERIAL: STAINLESS STEEL WITH TIN PLATING
[端子材料: 基材 ステンレス/表面 部分Snメッキ]
3. (): REFERENCE DIMENSION AND ANGLE [() 寸法、角度は参考値]

PRODUCT NO.	VL-2020/HFN	SCALE	4:1
		DRAWING NO.	PEHB1Z
		REV.	0
		UNIT: mm	

INSULATOR (BROWN)
[絶縁チューブ (茶色)]



- * NOTE [注記]
- TAB PULLING STRENGTH OVER 19.6N [端子溶接強度: 19.6N以上]
 - TAB MATERIAL: STAINLESS STEEL WITH TIN PLATING [端子材料: 基材 ステンレス/表面 部分Snメッキ]
 - (): REFERENCE DIMENSION AND ANGLE [() 寸法、角度は参考値]

PRODUCT NO.	VL-2020/HMN	SCALE	4:1
DRAWING NO.	PRHF1Z	REV.	0
			UNIT:mm